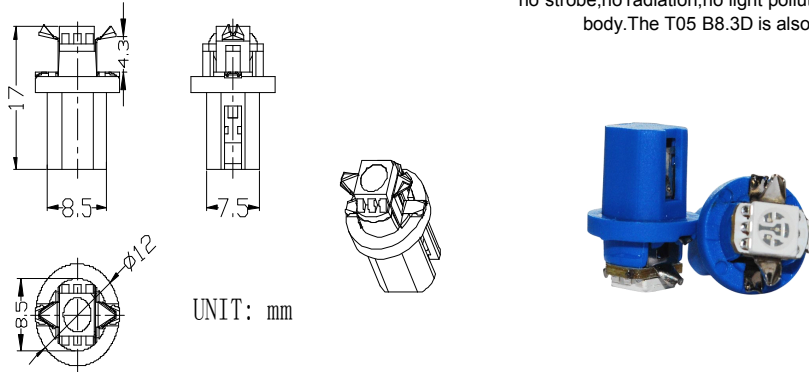




Part#	56344
Part Description	B8.5D 5050 (3Chip) LED Bulb
Lamp Type	led dashboard lights,led signal lights,car interior lights
Lamp Base	T05
Unit Wattage	0.18watt@12VDC
Voltage	12VDC
Frequency	
Operating Temperature	-30°C to +75°C
Storage Temperature	-40°C to +100°C
Operating Humidity	40%to70%
IP Class	n/a
Ventilation	Open air
Weight	1G



T05 1pc 5050SMD B8.5D Car Bulb. There is no strobe, no radiation, no light pollution to our body. The T05 B8.3D is also available

UNIT: mm

Size	17*12mm
Package Type	Bag, Card Package
Number/ Carton	n/a
Carton Size	54*28.5*25.5mm
Certificates	
Lense Type	no lens
Body Type	n/a
Work Environment	
Luminous Efficacy	4000-6000MCD
Lumen Maintenance	14LM
LED Life	30000 Hours
Warranty	See website for more information

Color	Beam Angle	Forward Lumen	Side Lume	#of LEDS	#of chips per LED	LED Type	Kelvin	Wave Length	Unit Amps	LED Watts	Unit Watts	CRI
W	120 Degree	14LM		1smd	3	5050 SMD	6000-6500K		n/a	0.2	n/a	n/a
DW												
WW												
R												
G												
B												
Y												
UV												
RGB												

LEDLight.com, LLC  
 sales@ledlight.com  
 Toll Free 1(877)283-5060 Local 1(602)997-0366 Fax 1(602)861-4088