



## Operation Instructions of Controller

### I. Specifications:

Working temperature: -20-60 °C

Product size: L63xW35xH22mm

Net weight: 240g

Output: Three CMOS drain-open output

Max load current: 4 A each color

Function: Gradual changing, 3 sec between two color.

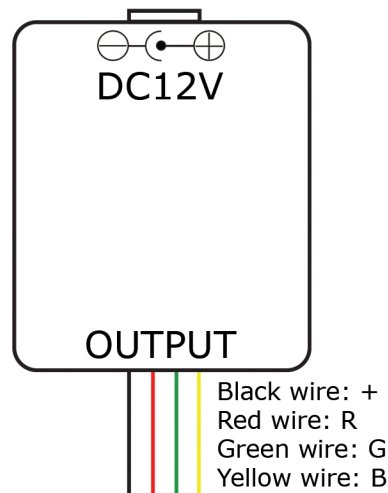
Supply voltage: DC12V

Package size: L75xW40xH30mm

Gross weight: 270g

Connecting Mode: Common anode

### II. Panel specification and connecting drawing as follows:



### III. Warning:

1. Supply voltage of this product is DC12V; never connect to DC24V or AC220V.
2. Never connect two wires directly in case of short circuit.
3. Lead wire should be connected correctly according to colors that connecting diagram offers.
4. Warranty of this product is one year, in this period we guarantee replacement or repairing with no charge, but exclude the artificial situation of damage or overload working.