

# Instruction Manual

**NAME: RF Wireless Touching LED Remote Controller (Brightness)**  
**MODEL: 84654**



## Summarization

84654 is a high-performance brightness adjustable LED touching remote controller, adopting the most advanced PWM control technology, controlling all brightness adjustable products with constant voltage circuit design, owning 50 grades of brightness.

It is also with the memory function(means the previous settings will be resumed when power on again). Widely used in brightness adjustable LED strip lights and other LED products.

Owing to the 433M high RF wireless remote control technology, it has the characteristics of low power consumption, long distance remote, and strong anti-interference ability ,high speed telecommunications, etc.

The remote looks fashionable, with simple and practical functions of brightness dimming, the capacitive touch screen design makes the remote easy to use . The modular design and easy screwed terminals enable the controller easy to match with all kinds of LED lights.

## Technical parameters

I : Technical Parameters(remote control):

1:Power supply: AAA battery \* 3pcs

2:Cover Material: ABS

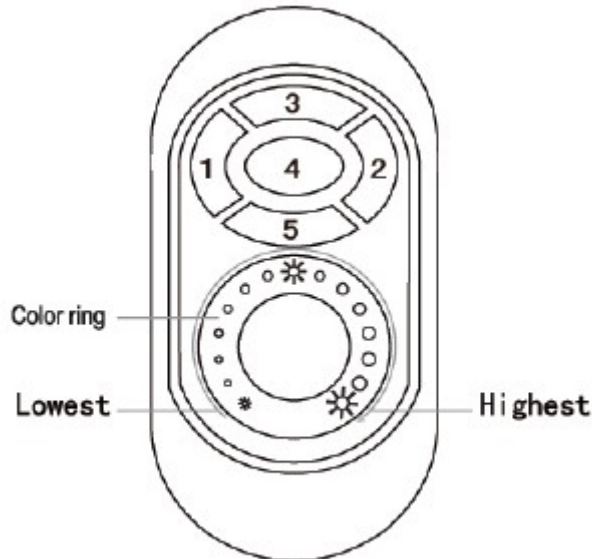
3: Fabrication processing: multicolor printing & UV varnish

II : Technical Parameters(controller)

1. Working voltage:DC12V/24V
2. Output control: 1 circuit
3. Control current: 6A
4. Connecting method: common anode
5. Wireless frequency: 433.92MHz
6. Receiving range:20 meters

III: Functions of Keys

1. Key 1: on
2. Key 2: off
3. Key 3:highest brightness
4. Key 4: medium brightness
5. Key 5: lowest brightness



IV. How to use

1. Brightness Adjusting :Use your finger to touch the color ring ,you can change the brightness from the highest to the lowest(100%-1%) .

2. Resume function. The previous settings will be resumed while power on again.

3. Matching code

Press Key 3 once within 3 seconds when power on again, the light will blink 3 times if matching is successful.

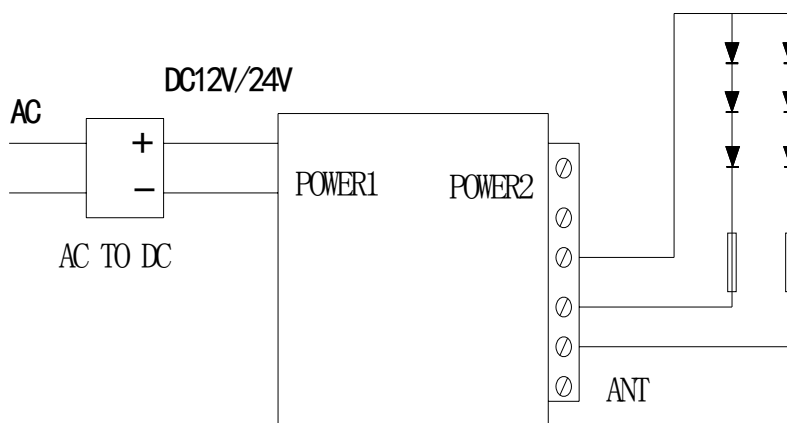
4. Clearing Code

Press Key 3 five times within 3 seconds when power on again, the light will blink 6 times if clearing is successful.

V : Caution:

Please don't touch or press the color ring while loading the batteries to protect the sensitiveness. Please use the remote controller 3 seconds after the batteries are loaded. Please reload the batteries when you find the color ring is not sensitive.

VI: Connecting Chart



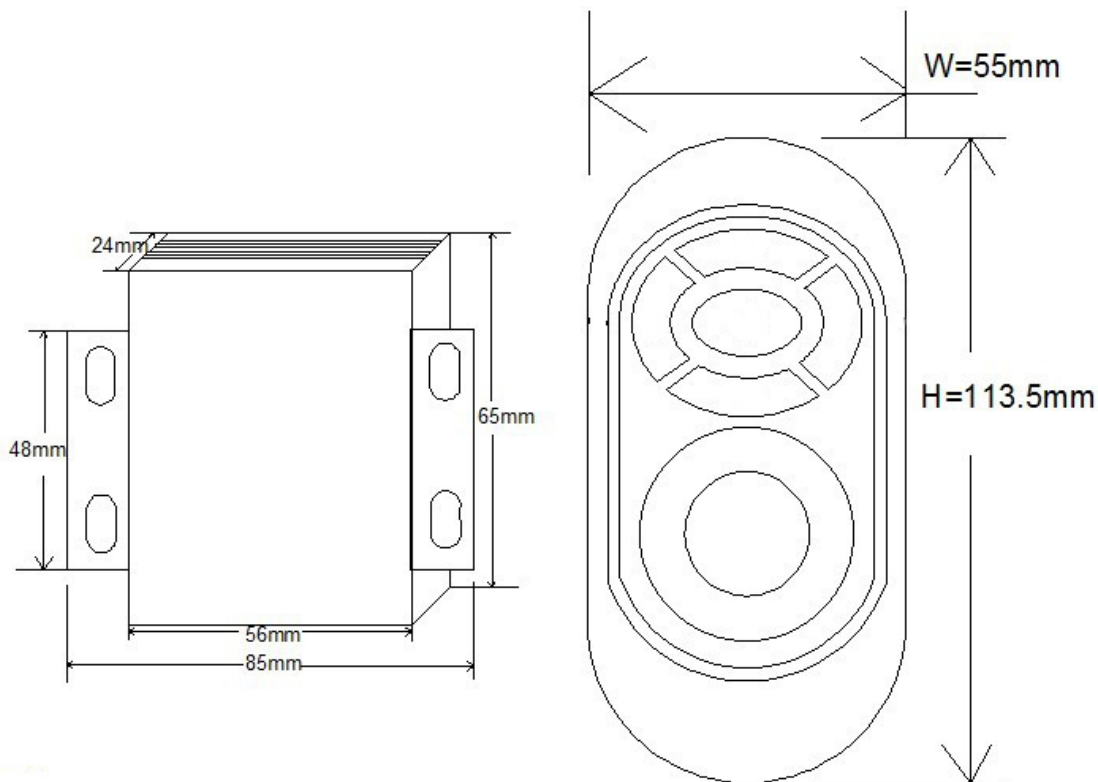
VIII.Package information:

Qty:1PC

Size:120\*70\*50mm

GW:156g

**External Dimension**



**Safe instruction**

**Please follow the instructions to use safely.**

 **Attention! Operate Carefully! Please read the following tips carefully.**

- 1 Do not install the product in areas with thundering, strong magnetic and high pressures.
- 2 Make sure the connection is right and firmed in case of fire accident caused by short circuit.
- 3 Please install the controller with ventilation to make sure the temperature is appropriate.
- 4 Please check whether the input voltage, power supply(constant pressure) accord with the requirements.
- 5 Please do not connect the power before connection.
- 6 Please contact the supplier when problems occur. Don't maintain by yourself.