



RGB Controller 12 Volt DC 300 Watt Master/Slave Synchronization Product Code: 58736

LED Controller is a necessary accessory of LED lighting control system, along with LED Light source, switch gear, and power source to form a complete lighting system.

Specifications:

Working temperature: -20 to 60 Deg Supply voltage: DC12V
 Dimensions: 183x138x47mm Max load current: 4A each color
 Connecting Mode: Common Anode Output: Three CMOS drain-open output

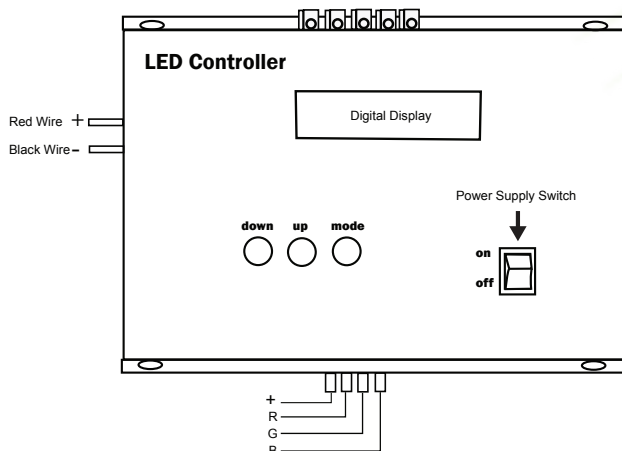
Control Mode:

“MODE” is the mode function button, pressed once, color/style changed by one. There are 14 changes in all. Press button “UP” to speed color changing, press “DOWN” to slow down.

Style/color changing table as follows:

No.	Style/Color	Remarks
0	Static Black	
1	Static Red	
2	Static Green	
3	Static Yellow	
4	Static Blue	
5	Static Pink	
6	Static Cyan	
7	Static White	
8	Entire stroboflash	
9	Three color jumping change	
10	Three color flowing water	
11	Seven color jumping change	
12	Gradual change	
13	Automatically	1-12

Panel illustration and connecting drawing as follows:



Warning:

1. Supply voltage of this product is 12VDC; never connect to a higher voltage.
2. Never connect two wires together in case of short circuit.
3. Lead wire should be connected correctly according to colors that the connecting drawing offers.
4. Please see our website for warranty information on this product.