

Instruction Manual

NAME: RF Wireless Touching LED Remote controller (RGB color)
MODEL: 54643CA



Summarization

54643CA is a multi-function Touching RGB LED Controller. It adopts the most advanced PWM remote control technology ,can control all the full color LED lighting with four lines three circuits(common anode),with more than 640000 combination colors and 15 auto light changing modes. it widely applies to RGB LED strip light, LED Module, etc.

Owing to the 433M high RF wireless remote control technology, it has the characteristics of low power consumption, long distance remote, and strong anti-interference ability, high speed telecommunications, etc.

The remote looks fashionable, with simple and practical functions of color changing and brightness dimming, the capacitive touch screen design makes the remote easy to use.

The modular design and easy screwed terminals enable the controller easy to match with all kinds of LED lights.

Technical parameters

I : Technical Parameters(remote control):

- 1:Power supply: AAA battery * 3pcs
- 2:Cover Material: ABS
- 3: Fabrication processing: multicolor printing & UV varnish

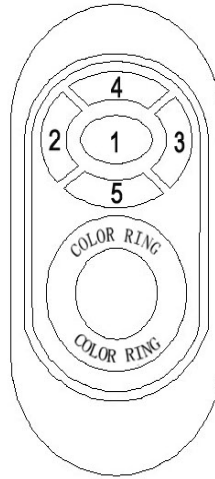
II : Technical Parameters(controller)

1. Working voltage:DC12V/24V

2. Output control: 3 circuits(R/G/B)
3. Control current: 6A/circuit
4. Connecting method: common anode
- 5: Wireless frequency: 433.92MHz
6. Receiving range:20meters

III: Functions of Keys

1. Key 1: on/off
2. Key 2: light changing mode(15 modes)
3. Key 3:color light/white light switching mode
4. Key 4: turn up(brightness/speed)
5. Key 5: turn down(brightness/speed)



IV. How to use

1. Press Key 1 to turn on/off in any state.
2. Press Key 2 to activate light changing mode, a new mode each press,15 modes in total.
3. Press Key 3 once to activate white light mode, changing brightness by pressing Key 4/Key 5. Press Key 3 twice to activate color light mode, changing brightness by pressing Key 4/Key 5 or changing light color by touching the color ring.
4. Resume function. The previous settings will be resumed while power on again

Feature chart for Key 2

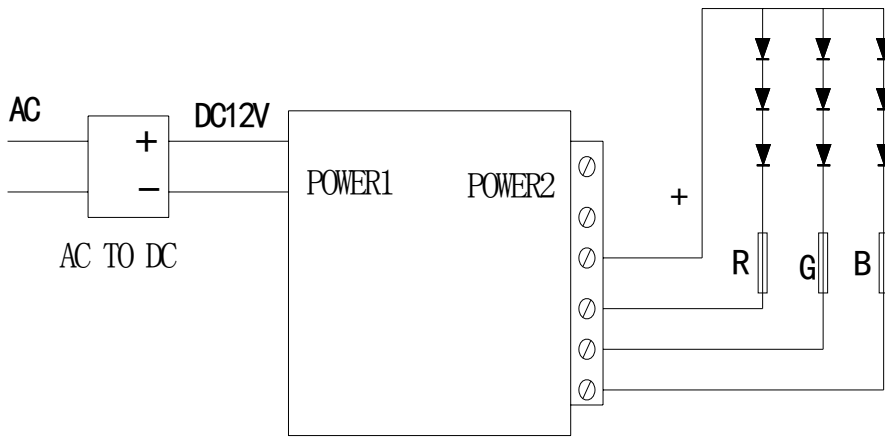
1	Auto color changing	8 grades of brightness to adjust by pressing Key 4 or Key 5.			
2	three colors jumps to change	8 grades of speed to adjust by pressing Key 4 or Key 5	9	Gree color jumps to change	8 grades of brightness to adjust by pressing Key 4 or Key 5.
3	seven colors jumps to change		10	Yellow color jumps to change	
4	three colors jumps to gradual change		11	Cyan color jumps to change	
5	seven colors jumps to gradual change		12	white color jumps to change	
6	red color jumps to change	8 grades of brightness to adjust by pressing Key 4 or Key 5.	13	Red/blue light twinkles alternately	8 grades of speed to adjust by pressing Key 4 or Key 5.
7	Blue color jumps to change		14	Green/blue light twinkles alternately	
8	Purple color jumps to change		15	Red/green light twinkles alternately	

V : Matching code: Press Key 4 once within 3 seconds when power on again, the light will blink 3 times if matching is successful. Clearing Code Press Key 4 five times within 3 seconds when power on again, the light will blink 6 times if clearing is successful.

VI: Caution:

Please don't touch or press the color ring while loading the batteries to protect the sensitiveness. Please use the remote controller 3 seconds after the batteries are loaded. Please reload the batteries when you find the color ring is not sensitive.

VII.:Connecting chart



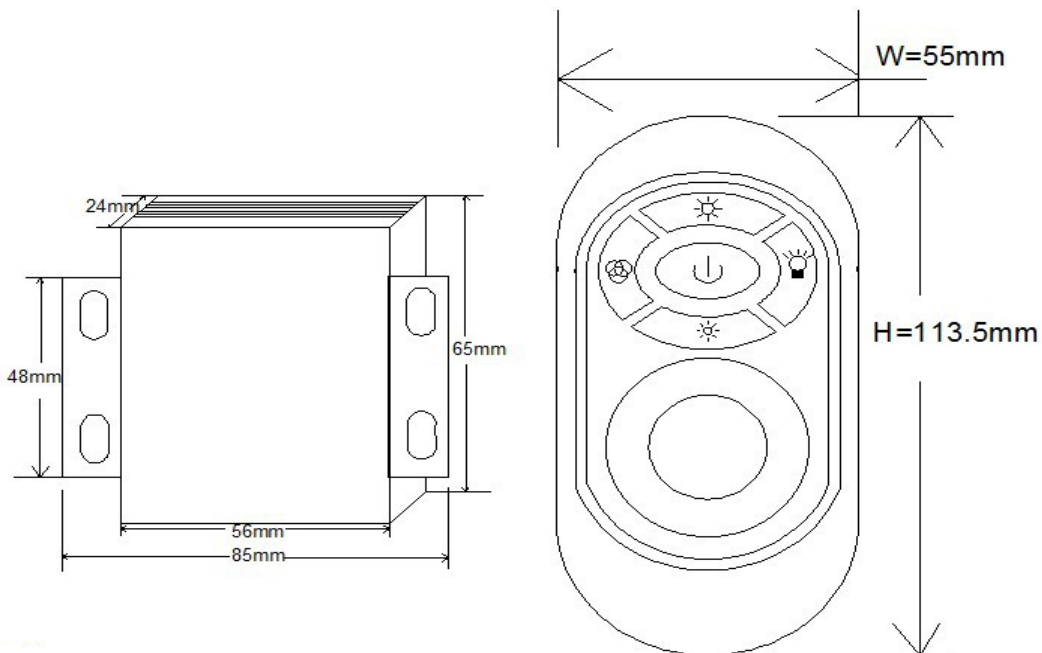
VIII.Package information:

Qty:1PC

Size:120*70*50mm

GW:156g

External Dimension



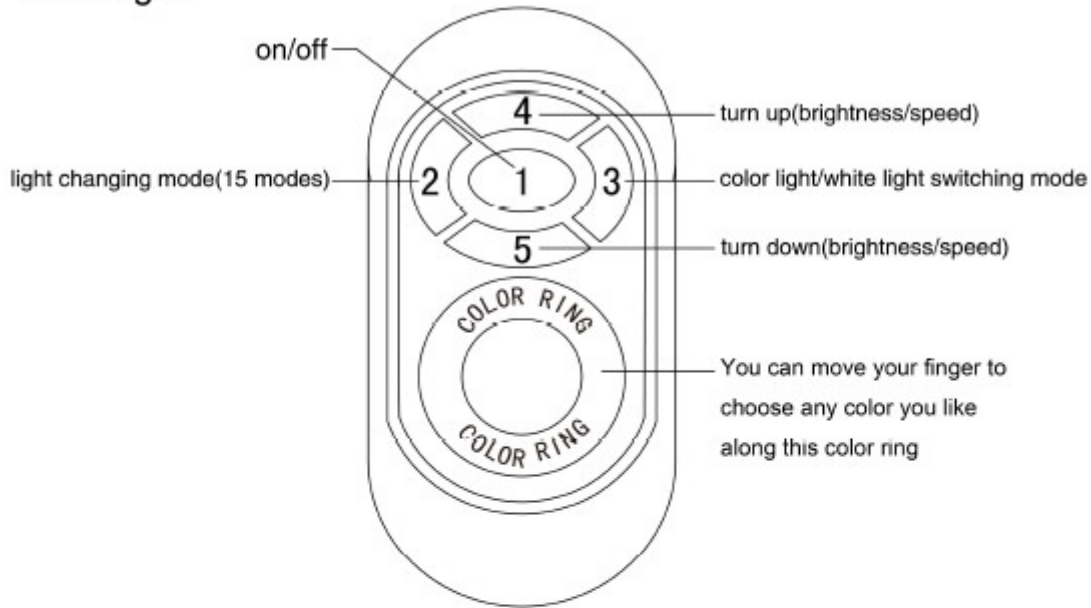
Safe instruction

Please follow the instructions to use safely.

 **Attention! Operate Carefully! Please read the following tips carefully.**

- 1 Do not install the product in areas with thundering, strong magnetic and high pressures.
- 2 Make sure the connection is right and firmed in case of fire accident caused by short circuit.
- 3 Please install the controller with ventilation to make sure the temperature is appropriate.
- 4 Please check whether the input voltage, power supply(constant pressure) accord with the requirements.
- 5 Please do not connect the power before connection.
- 6 Please contact the supplier when problems occur. Don't maintain by yourself.

Drawing 1:



Drawing 2:

