

# Instruction Manual

**NAME: RF Controller(Semi-outdoor waterproof type)**  
**MODEL: 52312**



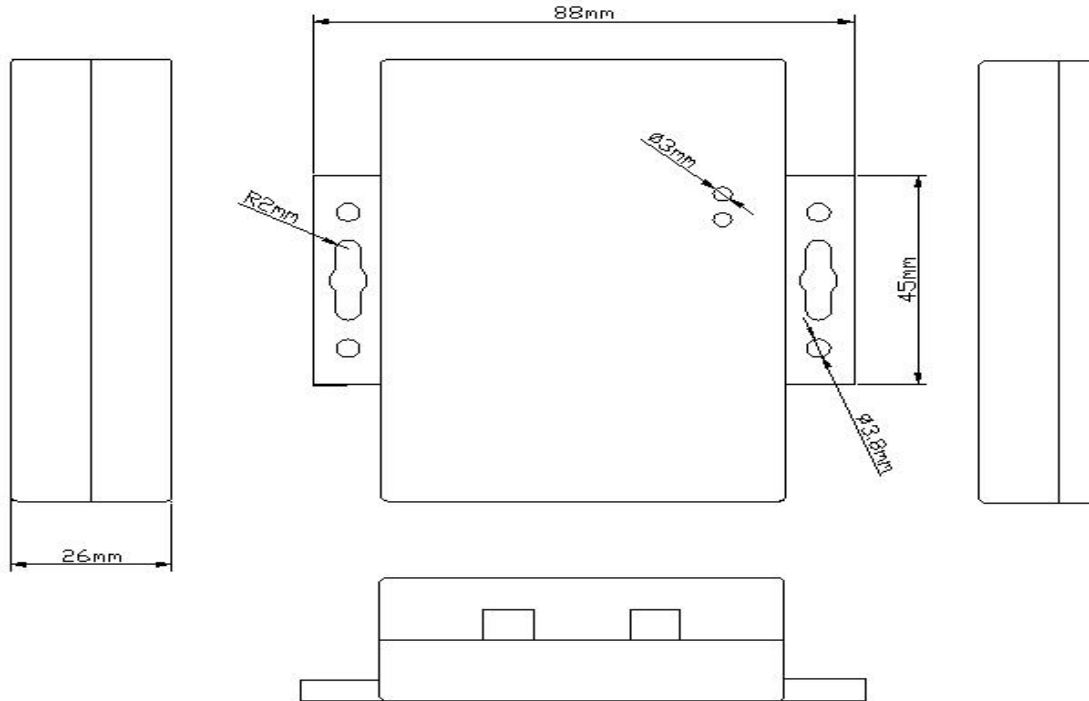
## Summarization

RF controller adopts the advanced micro control unit, it is used for controlling a variety of lamp whose source of light is LED. For instance, point source of light, flexible light strip, wall washer lamp, glass curtain wall light and so on; At the same time, it has many advantages such as convenient connection, simplicity to use and others. According to the actual needs of customers, it can carry out jumpy changing, gradual changing, stroboflash and other effects of change.

## Technical parameters

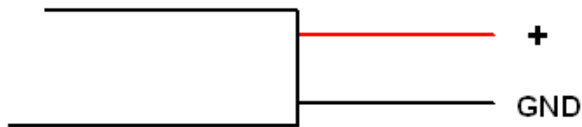
- working temperature: -20-60 °C
- supply voltage: DC5V, 12V, 18V, 24V <optional> (for orders specify voltage)
- output: 3 channels
- connecting mode: common anode
- launch reception frequency: 315 Mhz
- external dimension: L96X W66 X H26 mm
- Packing Size: L145 X W95 X H50 mm
- net weight: 170g
- gross weight: 200g
- static power consumption: <1 W
- output current: <4 A (each channel)
- output power: 5 V: <60W, 12V: <144W, 24V: <288W

**External Dimension**



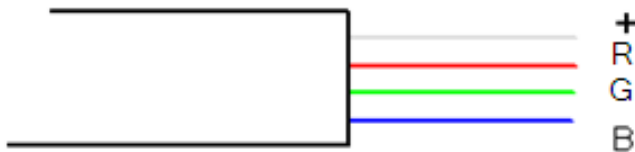
**Interface Specifications**

Power input interface:



Adopt two sheath wires as connecting wires, **remark: Red wire → + Black wire → —**

Load output interface:



Adopt four sheath wires as connecting wires: **White wire → + Red wire → R  
Green wire → G Blue wire → B**

**Direction for use**

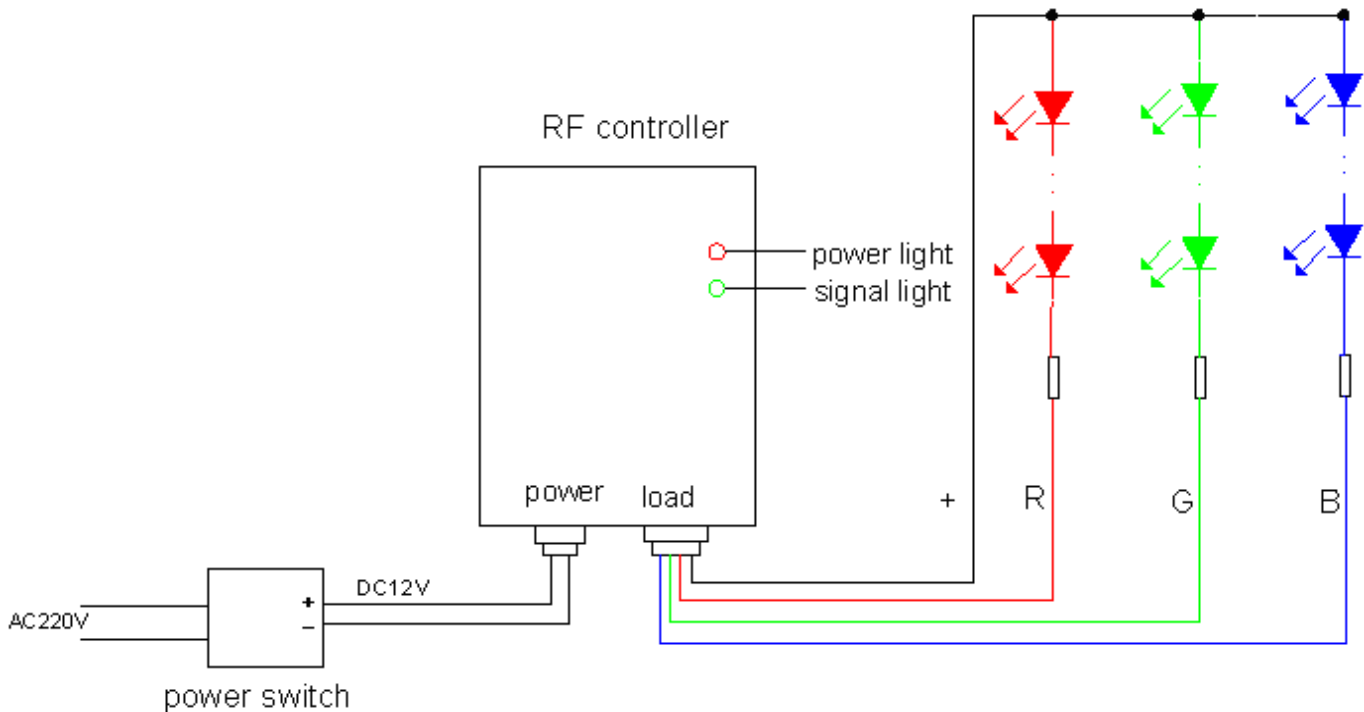
1. Connect the load wire at first, following by the power wire; **Please ensure short circuit can not occur between connecting wire before you turn on the power.**
2. Adopt RF for controlling, there are four buttons altogether, and every key-press function is as follows:
  - Program:** a pattern key, lighting color will change one if you press one time;
  - Speed up:** to speed up lighting color changing;
  - Speed down:** to speed up lighting color changing;

**On/off:** Power switch, you could turn on/off controller in any state.

3. Standard color change as follows:

Items	Patterns	Remarks
1	Static red	
2	Static blue	
3	Static purple	
4	Static green	
5	Static yellow	
6	Static cyan	
7	Static white	
8	Three-color jumpy changing	2(B) and 3(C) keys are available
9	Seven-color jumpy changing	2(B) and 3(C) keys are available
10	Three-color gradual changing	2(B) and 3(C) keys are available
11	Seven-color gradual changing	2(B) and 3(C) keys are available

### Typical Applications



#### Notes:

The input and output voltage(220V and 12V) is for your reference only, it depends on the actual voltage in your area and adaptor.