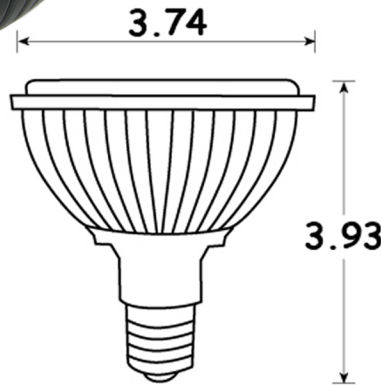




LEDLight.com

PAR30 Nine 1 Watt LED Light



9 Watts of usage 540 Lumen output. 65W incandescent equivalent. 9.0 Watt power consumption. 6000-7000 Kelvin white or 2800-3300 Kelvin warm white. 45 Degree viewing angle. Wide voltage 85 VAC - 265 VAC. CE Approved. 3.75 inch diameter x 3.9 inch Height. The body is aluminum which helps the nine 1 Watt LED Lights stay cool, which helps the LED last longer men output. World wide voltage operation 85 VAC to 265 VAC, 50HZ or 60HZ.

Part#	43253
Part Description	PAR30 Nine 1 Watt
Lamp Type	High Power LED Bulb
Lamp Base	E27
Unit Wattage	10.6W
Voltage	100-240V
Frequency	50-60Hz
Operating Temperature Environment	<60°C
Operating Humidity	<25°C
IP Class	0-95% non-condensity humidity
Weight	IP5/4
Ventilation	Good Ventilation
Size	380g
Package Type	95x102mm
Number/ Carton	gift-box
Carton Size	48PCS
Certificates	43x43x33
Lense Type	CE, RoHS
Body Type	Plastic
Work Environment	Aluminum
Luminous Efficacy	Indoor
Lumen Maintenance	
LED Life	50,000hrs
Warranty	1 Year

Color	Beam Angle	Forward Lumen	Side Lumen	# of LEDs	# of chips per LED	LED Type	Kelvin	Wave Length	Amps	LED Watts	Unit Watts	CRI
W	15/30/45 /60	9x60		1		Seoul/Edison	6000-7000k		300mA	9	10.6	80%
DW	15/30/45 /60	9x55		1		Seoul/Edison	3500-4500k		300mA	9	10.6	80%
WW	15/30/45 /60	9x45		1		Seoul/Edison	2800-3300k		300mA	9	10.6	80%
R	15/30/45 /60	9x45		1		Seoul/Edison		610-645	300mA	9	10.6	80%
G	15/30/45 /60	9x35		1		Seoul/Edison		585-595	300mA	9	10.6	80%
B	15/30/45 /60	9x16		1		Seoul/Edison		460-475	300mA	9	10.6	80%
Y	15/30/45 /60	9x60		1		Seoul/Edison		500-540	300mA	9	10.6	80%
UV												
RGB												

LEDLight.com LLC

12215 East Chandler Heights Rd Chandler, AZ 85249

Toll Free 1(877)283-5060 Local 1(602)997-0366 Fax 1(602)861-4088