

Instruction Manual

NAME: RF 4-Key LED controller(Aluminum)
MODEL: 34531



Summarization

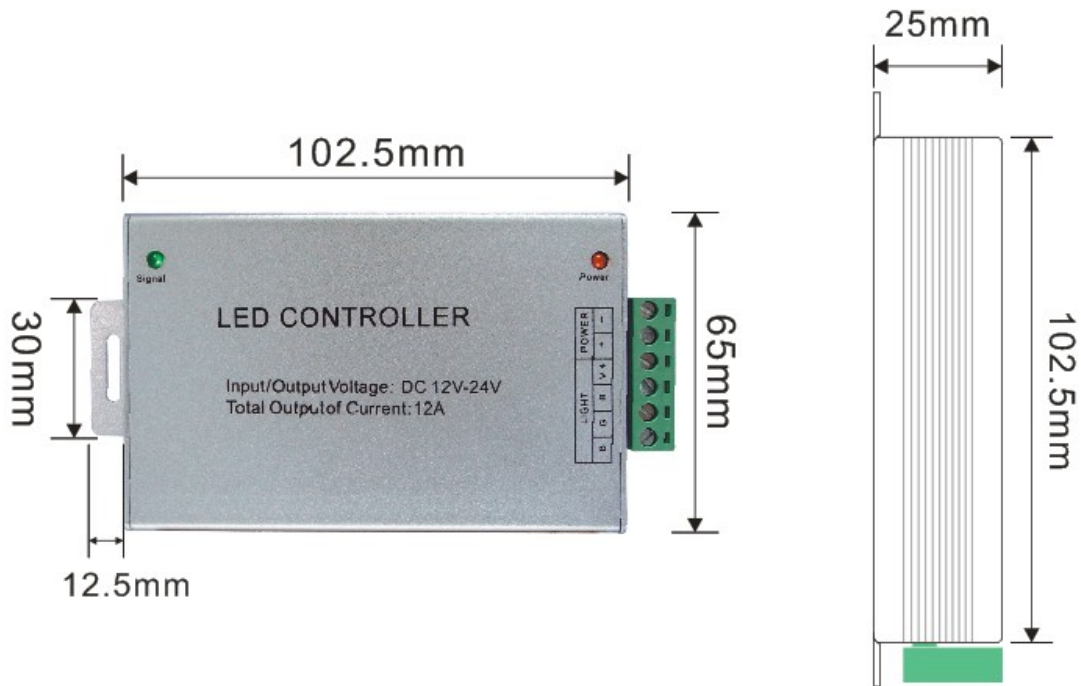
RF 4-key LED RGB controller adopts the advanced micro control unit, it is used for controlling a variety of lamp whose source of light is LED. For instance, point source of light, flexible light strip, wall washer lamp, glass curtain wall light and so on; At the same time, it has many advantages such as convenient connection, simplicity to use and others. According to the actual need of customers, it can carry out jumpy changing, gradual changing and other effects of change. Total 11 modes for your choice.

Technical parameters

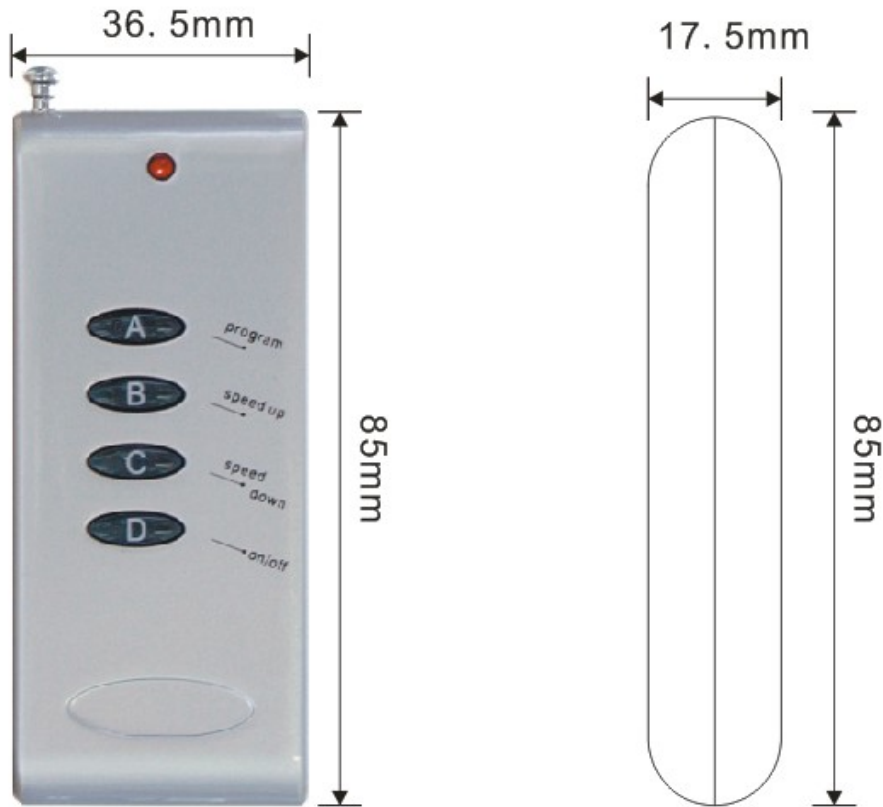
- Working temperature: -20-60 °C
- Voltage supply: DC5V, 12V, 24V <optional> (for orders specify voltage)
- Output: 3 channels
- Connecting mode: common anode or common cathode
- External dimension: L128XW65XH25 mm
- Net weight: 160.5g
- Gross weight: 204.5g
- Static power consumption: <1 W
- Output current: <4 A (each channel)

- Output power: 5 V: <60W, 12V: <144W, 24V: <288W

External Dimension
Controller dimension:



Remote control dimension:

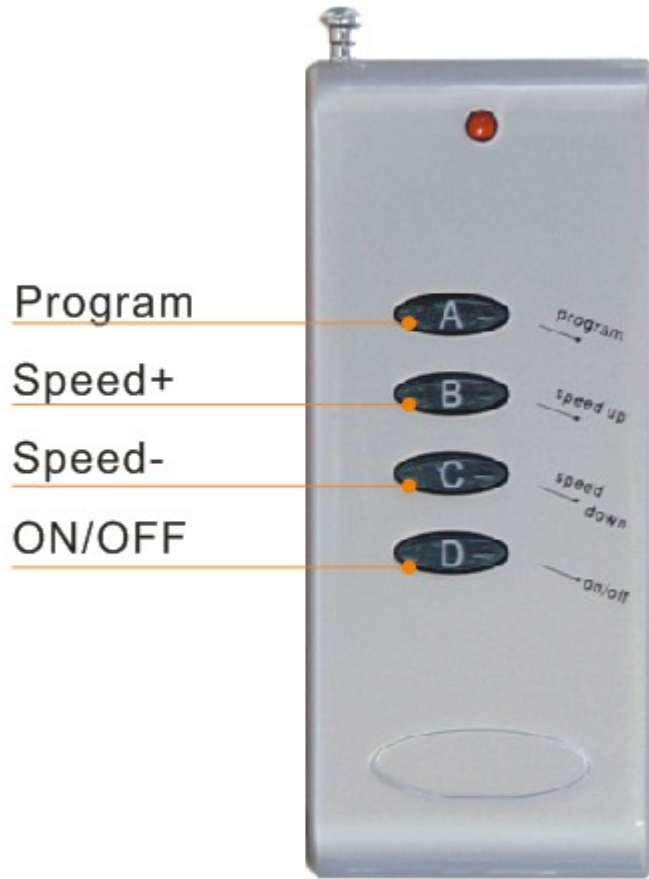


Direction for use

1. Connect the load wire at first, following by the power wire; Please ensure short circuit can't occur between connecting wire before you turn on the power;
2. Standard color changes as follows:

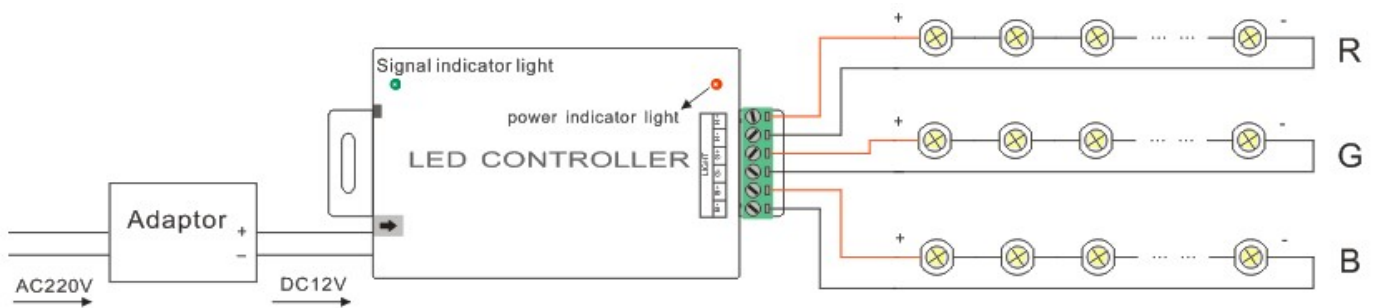
Item	Patterns	remarks
1	Static Red	
2	Static Green	
3	Static Yellow	
4	Static Blue	
5	Static Pink	
6	Static cyan	
7	Static white	
8	3 color jump change	Button B and C is valid
9	7 Color jump change	Button B and C is valid
10	3 Color fade change	Button B and C is valid
11	7 Color fade change	Button B and C is valid

Key instruction:

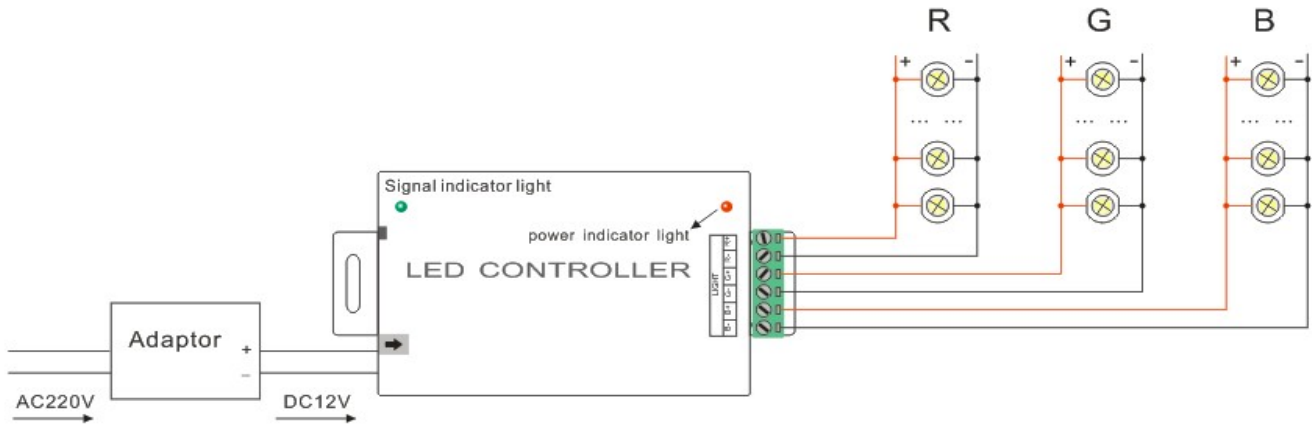


Connecting drawing:

series connection



parallel connection



Notes:

The input and output voltage(220V and 12V) is for your reference only, it depends on the actual voltage in your area and adaptor.