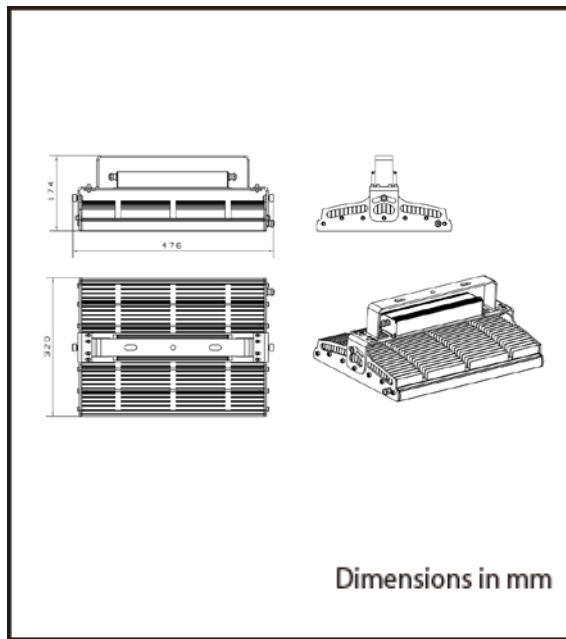




120 Watt High Power



21547

Electrical Specifications:

LED Power: 120W
Lamp's Power: 135W
Operating Voltage: 100-240V AC, 50/60Hz
Optimal Operating Temp: -30 °C to +50 °C
Operating Humidity: 10% to 90%
Power Fact(PF): > 0.95
Power Supply Efficiency: > 90%

Photometric Specification

LED Luminous Flux: 13200 lm in Initial
 12000 lm in Maintain
LED Luminous Efficiency: Up to 100 lm/w
CRI: Ra >= 80
CCT: 3000-3500K, Warm White
 5000-5500K, Pure White
 6000-6500K, Cool White

Mechanical Specifications

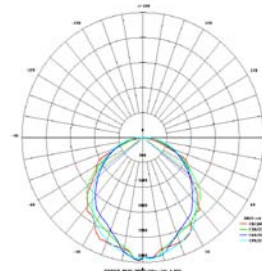
IP Rating: IP65
Guarantee: See Website
Heat Radiator: Anodized Aluminum
Face: Toughened Glass
Fixture Dimensions: 606 x 320 x 174 mm
Fixture Weight: 11.5 kg



Illumination Information:

| Item | 50% Beam Angle |
|-----------------------------|--|
| Effective Illuminated Area: | 8M: Φ21m 9M: Φ24m 10M: Φ27m |
| Center Illumination (E): | 8M: 61.5Lux 9M: 48.6Lux 10M: 39.4Lux |
| Average Illumination (E): | 8M: 19.5Lux 9M: 15.4Lux 10M: 12.5Lux |

ISO-Illuminance Curve



LED High Bay Lights
 for Industrial & Commercial Applications