

# INSTALLATION INSTRUCTION

## High Voltage Led strip



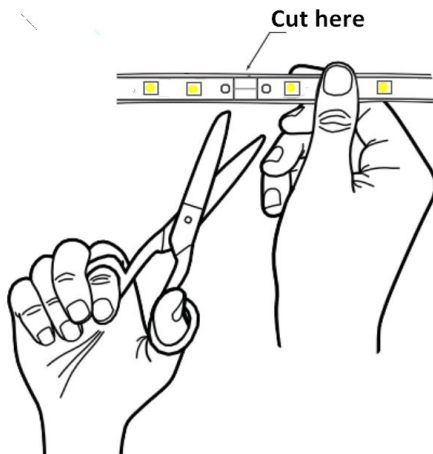
**Safety instructions and important information!**  
**To ensure the safety at all times, please read the safety instructions carefully!**

### BEFORE YOU START :

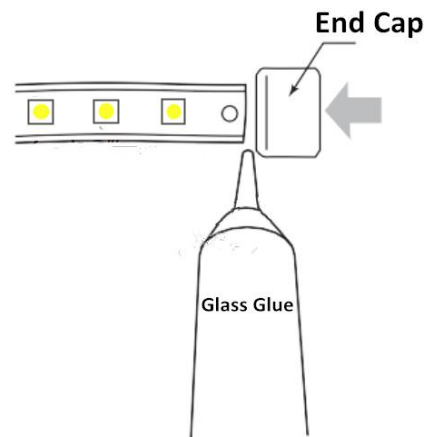
- Please check local electrical codes before beginning
- Use only proper glass glue seal
- Make sure that glue has time to cure before final installation
- Led Strip is cut at the gap only

For the correct installation, read the following instructions.

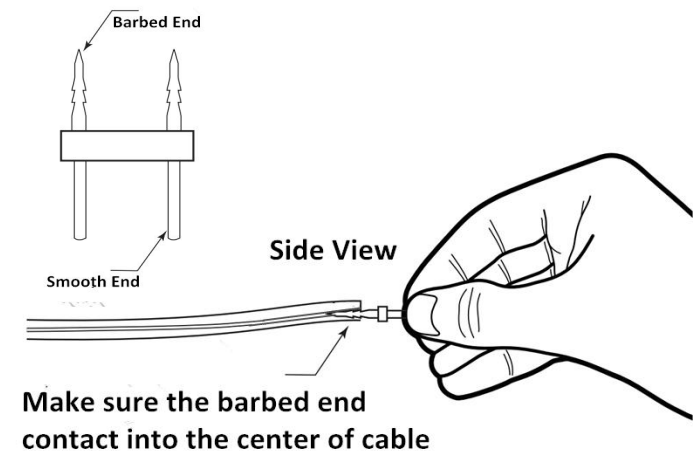
1: Where to cut?



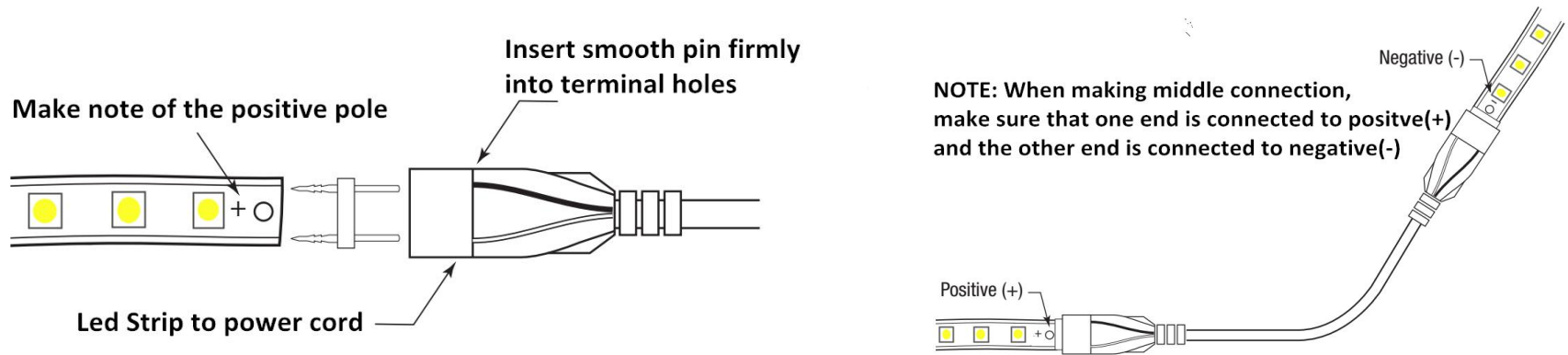
2: Seal end cap with glass glue



3: Insert H pins into the metal wire

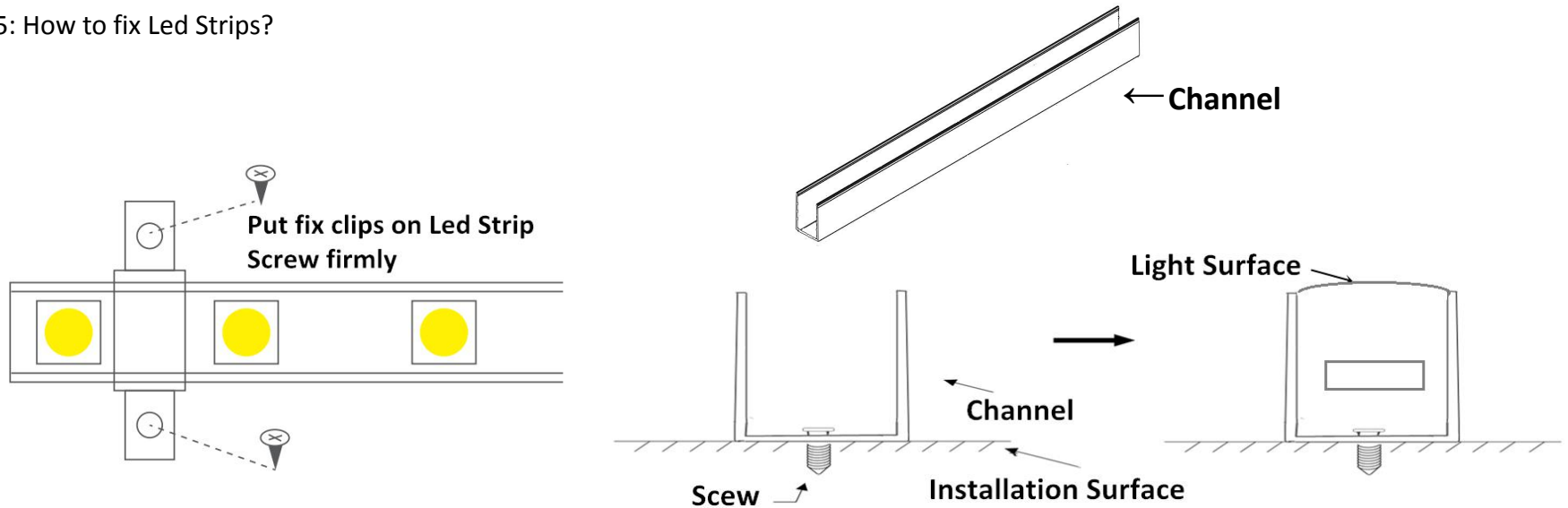


4: How to connect power cord & middle connection?



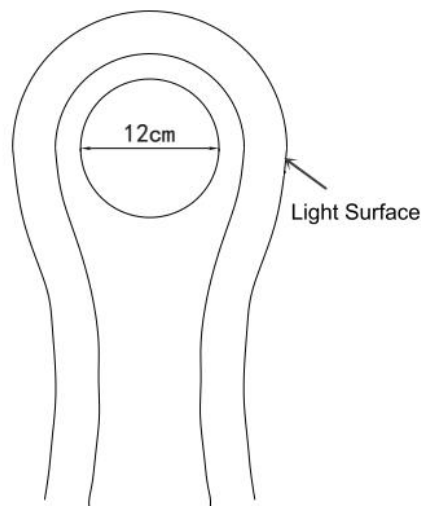
NOTE: Please apply glass glue at every connectors to make sure waterproof after checking Led Strip work properly.

5: How to fix Led Strips?

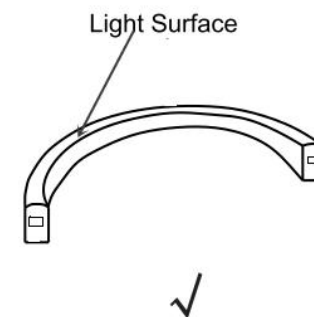
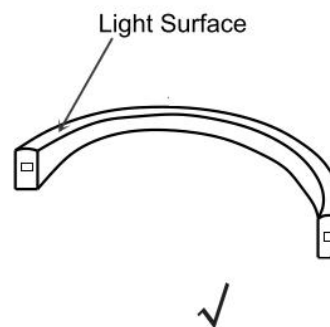
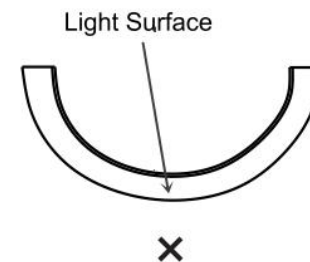
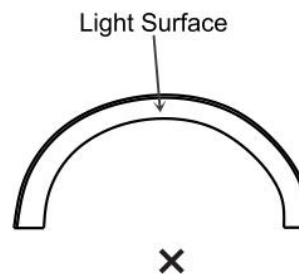
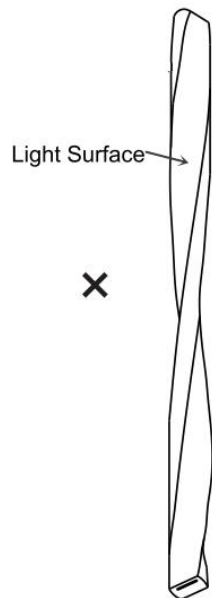


Three options for fixing Led Strip: ① Plastic Fix Clips; ② Plastic channel; ③ Aluminum channel.

## ☑ Bending Direction



The minimum bending diameter is 12cm



## SAFETY PRECAUTIONS

- To reduce the risk of fire, electric shock or injury, do not leave the light strip energized if its operation is not necessary.
- This Led strip is IP67, it is not made to be submerged, so it is important to perform the installation in the best way with material that prevents the entry of corrosive agents.
- Use only as described in this manual, and use only accessories recommended by the manufacturer.
- Do not use when the power terminals are damaged, if they have been dropped or have suffered considerable damage.
- Move it away from surfaces with dust, lint, or anything that could reduce airflow.
- It is not recommended to use cable other than the one specified or the one with the luminaire, electric extensions whose conductors are of smaller caliber or are damaged.