

LEDLight.com



LM487- Full Size Truck & SUV Lighting Control Module

Applications : GMT800/805/806/820/830
(2003-2007)

Features:

- **Heavy Duty** 10 Bulb Load Handling Capability
- Low current input Turn Signal Control
- Low current input Hazard Warning Control
- Brake Lamp Control
- Reduced Radiated Emissions (GM 9114)
- Export3/6 Lamp Version Available (PT# 15764136)



Volume:

- 1,500,000 / Year

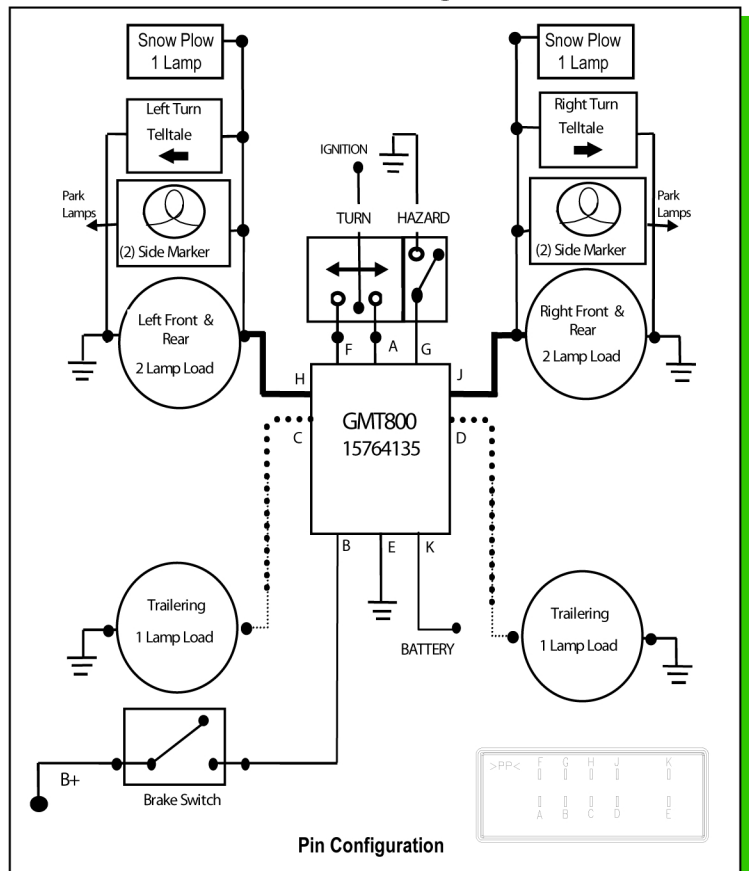
Specifications:

- Designed For 2 Turn / 4 Hazard Bulb Load
- Special Trailering Support Will Allow 3 Additional 2.1A Bulbs Per Side For Total Max Load of 10 Lamps, 2 Telltales + Accessories
- Flame Retardant Polypropylene Cover
- Plugs Directly into Bussed Electrical Center (BEC) or custom Delphi Connector

Inputs/Outputs

PIN	TYPE	DESCRIPTION
A	INPUT	Right Turn Input
B	INPUT	Brake Input
C	OUTPUT	Left Trailer Output
D	OUTPUT	Right Trailer Output
E	GROUND	Flasher Ground
F	INPUT	Left Turn Input
G	INPUT	Hazard Input
H	OUTPUT	Left Front & Rear Output
J	OUTPUT	Right Front & Rear Output
K	POWER	Battery

Mechanization Drawing:



LEDLight.com LLC

12215 East Chandler Heights Rd Chandler, AZ 85249

Toll Free 1(877)283-5060 Local 1(602)997-0366 Fax 1(602)861-4088