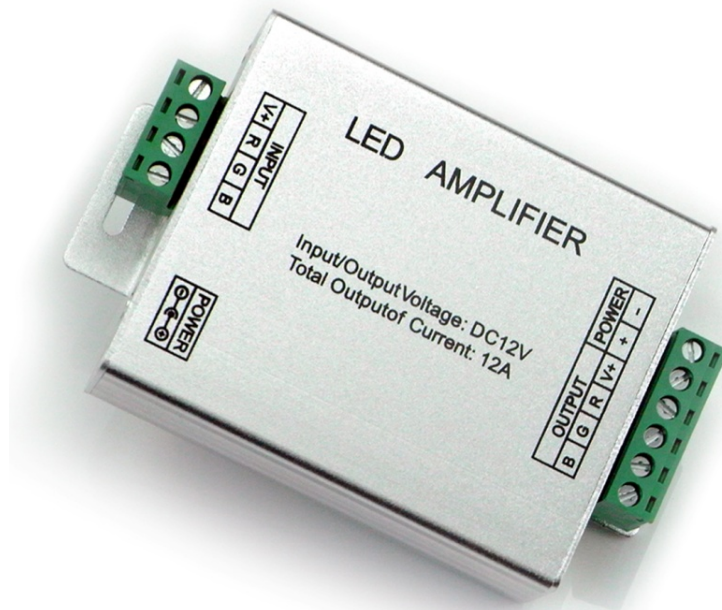


# Instruction Manual

**NAME: LED RGB Amplifier**  
**MODEL: 85457**



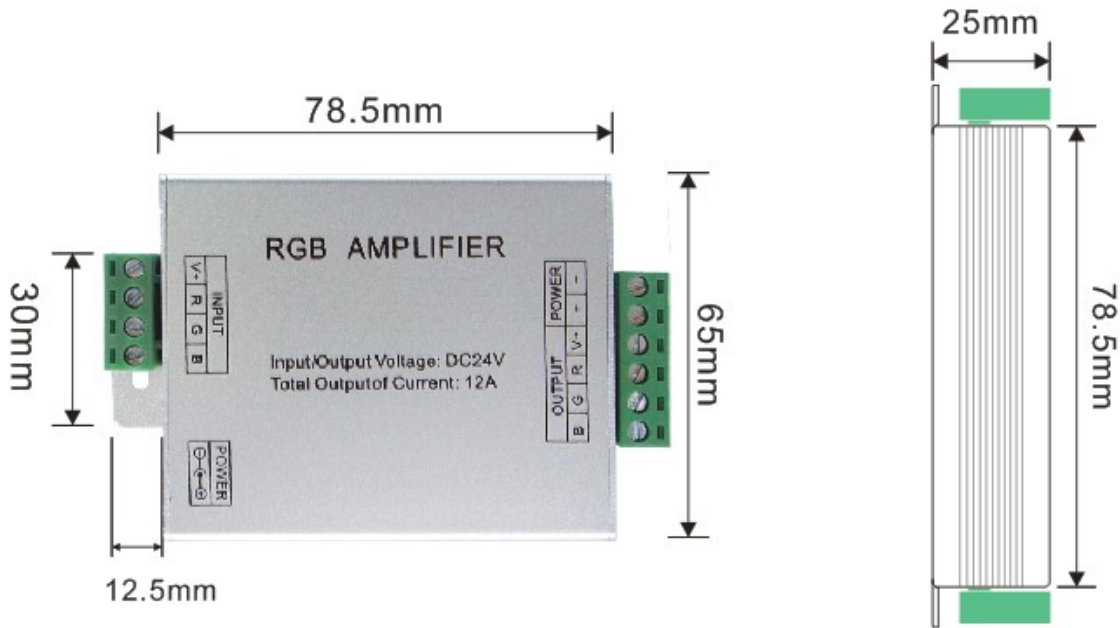
## Summarization

It's the assembly product of lighting controlling, which double with LED controller, LED source light and switch power.

## Technical parameters

- Working temperature: -20-60 °C
- Supply voltage: DC5V, 12V, 24V <optional>
- Output: 3 channels
- Connecting mode: common anode or common cathode
- External dimension: L105XW65XH25mm
- Net weight: 104g
- Static power consumption: <1 W
- Output current: <4 A (each channel)
- Output power: 5V:<60W, 12V:<144W, 24V:<288W

## External Dimension

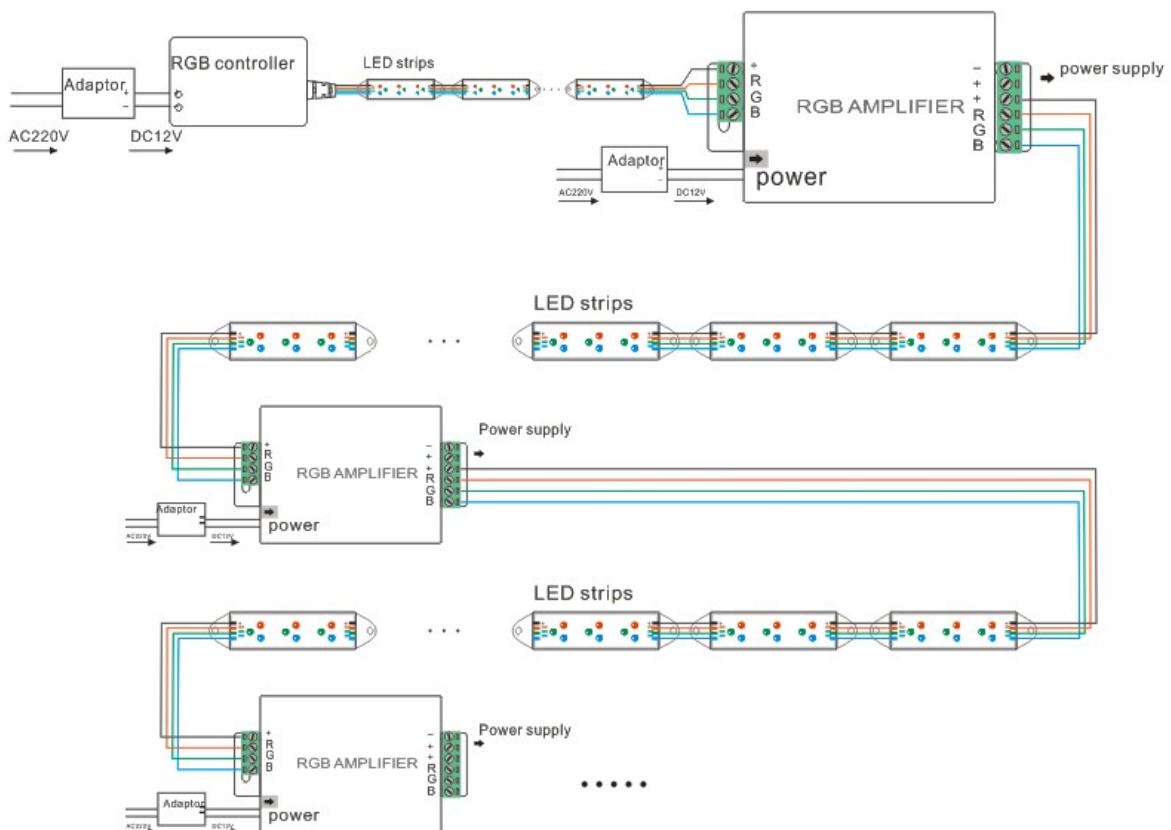


## Direction for use

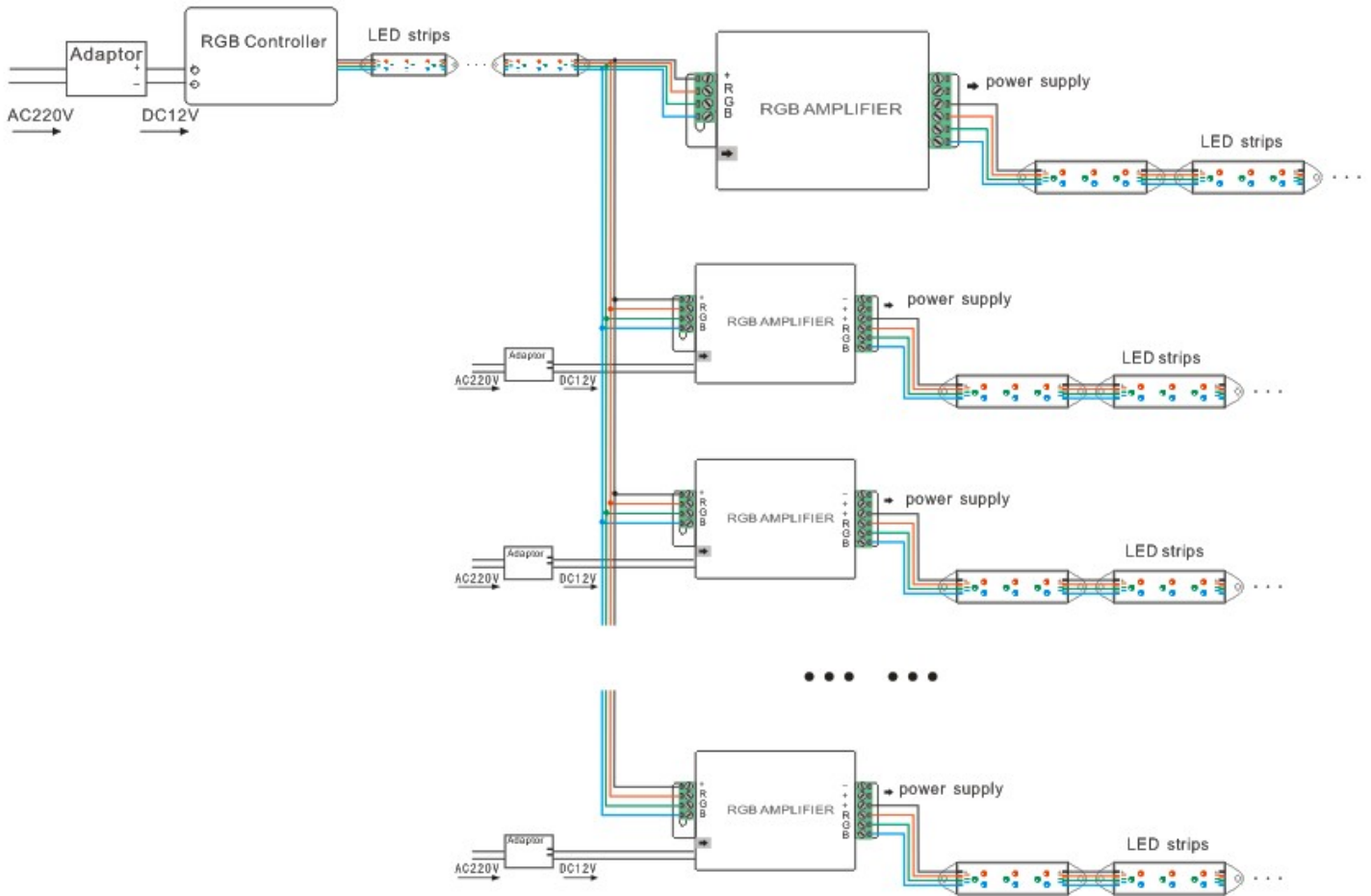
Connect the load wire at first, following by the power wire; Please ensure short circuit can't occur between connecting wire before you turn on the power

## Connecting drawing:

### Series connection



**parallel connection**



**Notes:**

The input and output voltage(220V and 12V) is for your reference only, it depends on the actual voltage in your area and adaptor.