

LEDLight.com



LM502- Lighting Control Module w/ DRL & Brake

Application: Chevy Exprexx & GMC Savanna Full Size Van

Features:

- Front Turn Signal Bulbs Used As Daytime Running Lamp
- Low Current Input DRL Control
- Brake Lamp Control
- Optional Trailing Control
- Low current input Turn Signal Control
- Low current input Hazard Warning Control
- Reduced Radiated Emissions (GM 9114)
- Special LED version available (no Lamp Outage)



Volume:

- 240,000 / Year

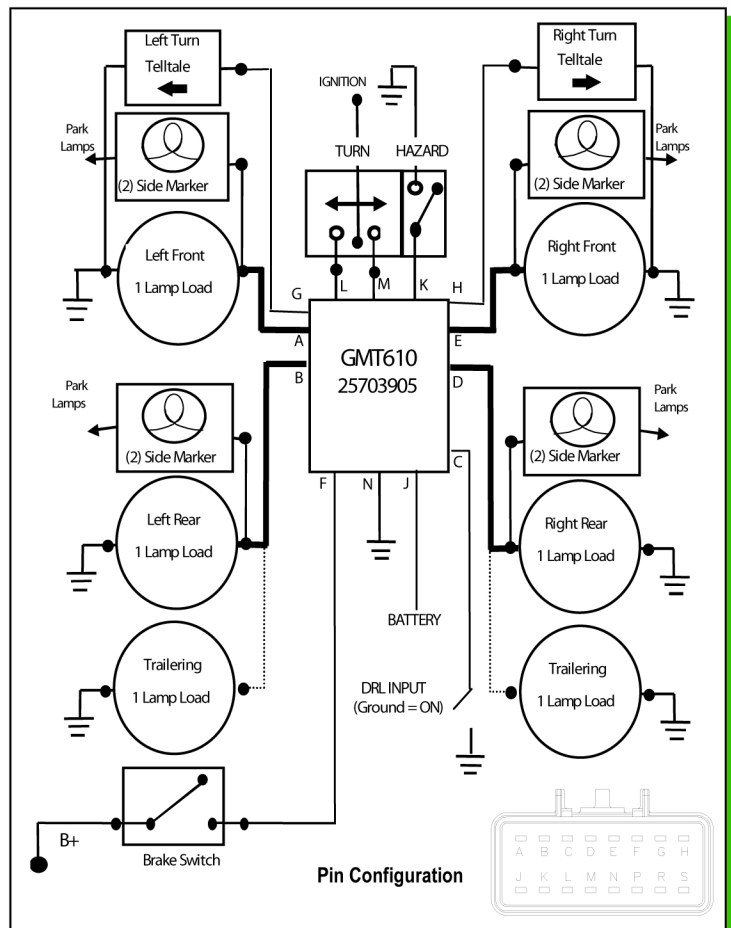
Specifications:

- AM Noise Reduction Circuitry
- Designed for 2 Turn / 4 Hazard bulb load
- Max Load 6 Lamp (w/trailing), + 2 Telltales
- Flame Retardant Polypropylene Cover
- Designed for Mounting with Packard Clip P/N 15326258 (optional)
- Mates with Packard Connector P/N 15332182

Inputs/Outputs:

PIN	TYPE	DESCRIPTION
A	OUTPUT	Left Front Output
B	OUTPUT	Left Rear Output
C	INPUT	DRL Input
D	OUTPUT	Right Rear Output
E	OUTPUT	Right Front Output
F	INPUT	Brake Input
G	OUTPUT	Left Tell-Tale Output
H	OUTPUT	Right Tell-Tale Output
J	POWER	Battery
K	INPUT	Hazard Input
L	INPUT	Left Turn Input
M	INPUT	Right Turn Input
N	GROUND	Ground
P	Open	Open
R	Open	Open
S	Open	Open

Mechanization Drawing:



LEDLight.com LLC

12215 East Chandler Heights Rd Chandler, AZ 85249

Toll Free 1(877)283-5060 Local 1(602)997-0366 Fax 1(602)861-4088