



# Instruction Manual

## Integrated led T8 tube(Fixture)

Product Code: 74784



Website: [www.ledlight.com](http://www.ledlight.com)

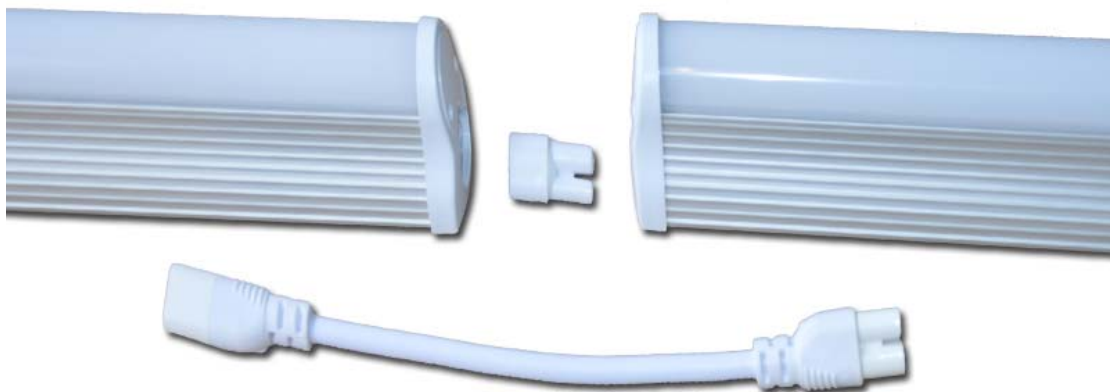
E-mail: [sales@ledlight.com](mailto:sales@ledlight.com)

Tel: 18772835060

6 pcs tubes can be connected up together by Inter-linkable cable



6 pcs tubes can be connected up together by the Inter-linkable connector



Website: [www.ledlight.com](http://www.ledlight.com)

E-mail: [sales@ledlight.com](mailto:sales@ledlight.com)

Tel: 18772835060

  
**LEDLight.com**

## Installation:



Website: [www.ledlight.com](http://www.ledlight.com)

E-mail: [sales@ledlight.com](mailto:sales@ledlight.com)

Tel: 18772835060

**LEDLight.com**

## Inter-Linkable Cables.

The standard of length is 9.85 inches.

By the way any length can be made by the customers request.



Illustration 12 - Dimensional Drawing of unlisted component - Male Connector

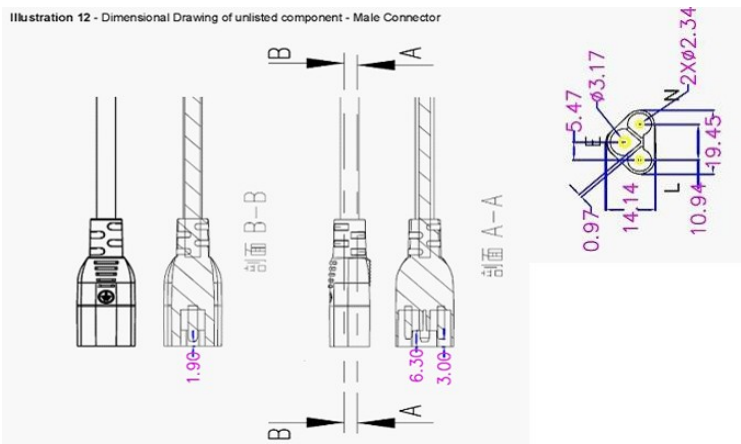
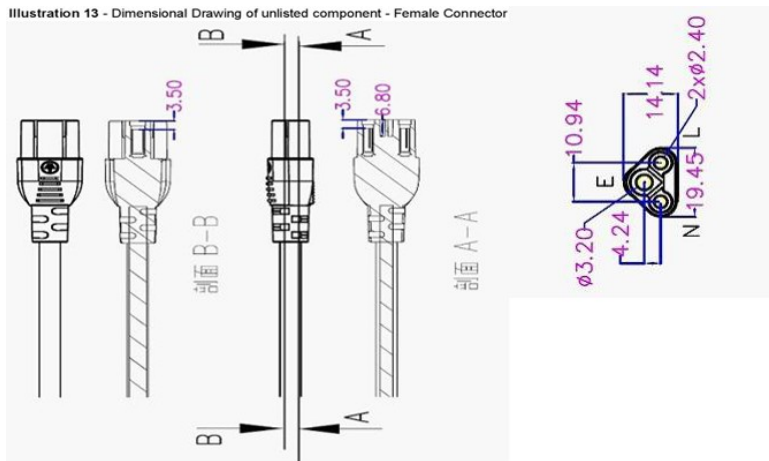


Illustration 13 - Dimensional Drawing of unlisted component - Female Connector



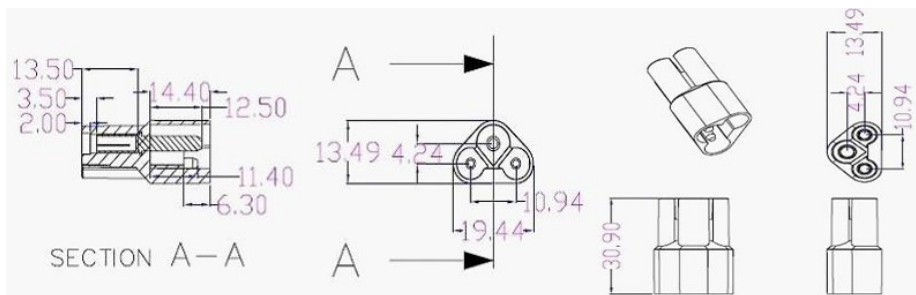
Website: [www.ledlight.com](http://www.ledlight.com)

E-mail: [sales@ledlight.com](mailto:sales@ledlight.com)

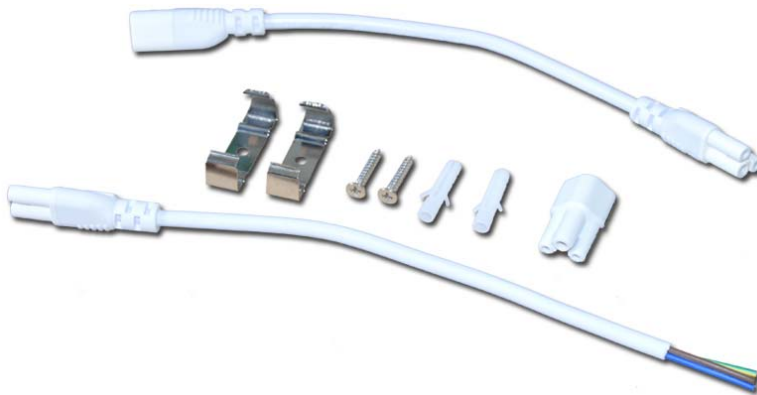
Tel: 18772835060



## Inter-linkable connector:



## Accessories:



Website: [www.ledlight.com](http://www.ledlight.com)

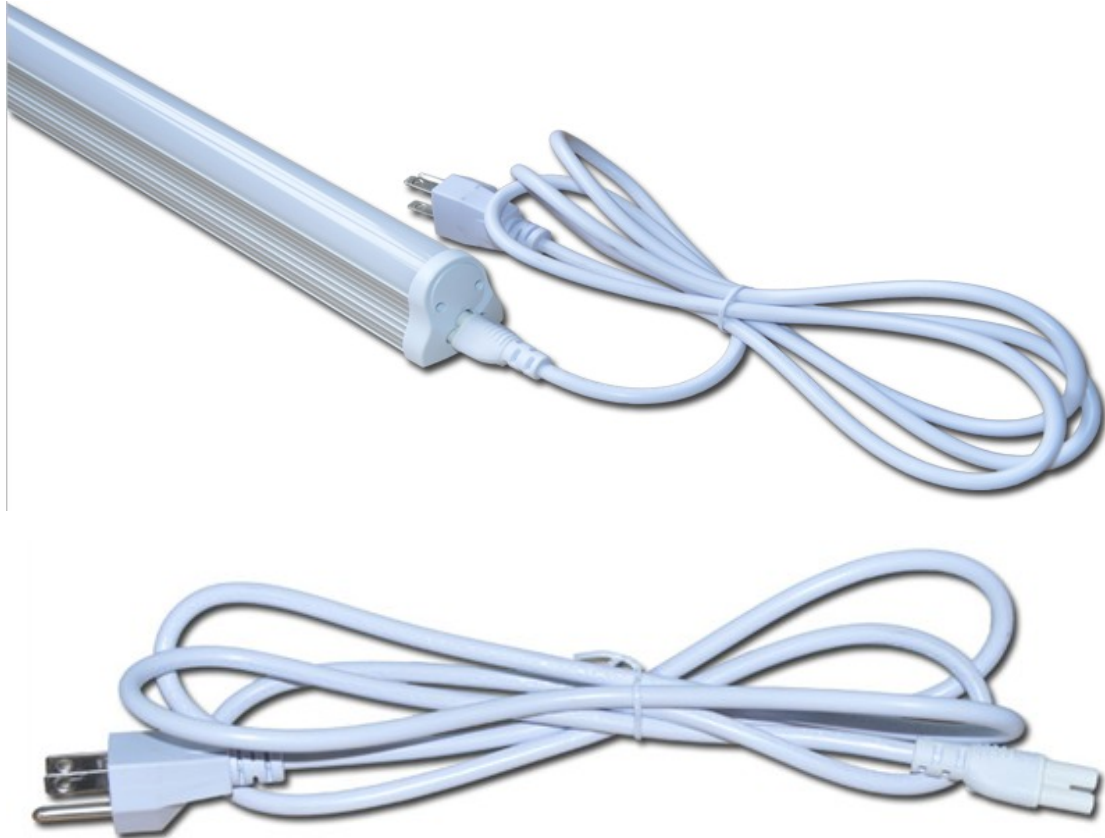
E-mail: [sales@ledlight.com](mailto:sales@ledlight.com)

Tel: 18772835060



# Compatible Power Cords

## Plug Wire



The length: 17.24 inches

By the way any length can be made by the customers request.

T8 USA Power Plug Wire

UL Listed

Website: [www.ledlight.com](http://www.ledlight.com)

E-mail: [sales@ledlight.com](mailto:sales@ledlight.com)

Tel: 18772835060



## Power Cords



The black:L

The white:N

The green:Earth

The standard of length is 9.85 inches.

By the way any length can be made by the customers request.

Specification:

Product Code: 74784

Length:4ft

LED Model:SMD3014 Epistar ship

Power Consumption:18W

Color Temperature:2700-6500K

Luminous Flux:1620LM(Milky Cover)  
1800LM(Clear Cover)

Frequency:50-60Hz

Power Factor:0.95

Power Efficiency:85%

Input Voltage:120V

LED Qty:192 pcs

Insolated Driver

Weight:752g

Warranty: See website for details

Main Material:PC Optics and Aluminum

Socket :lead in wire

Male-Female Joint-Plug

One leds of 0.1w. The lumen is 10-12 lm.

Dimension(inches):

Website:[www.ledlight.com](http://www.ledlight.com)

E-mail:[sales@ledlight.com](mailto:sales@ledlight.com)

Tel:18772835060



