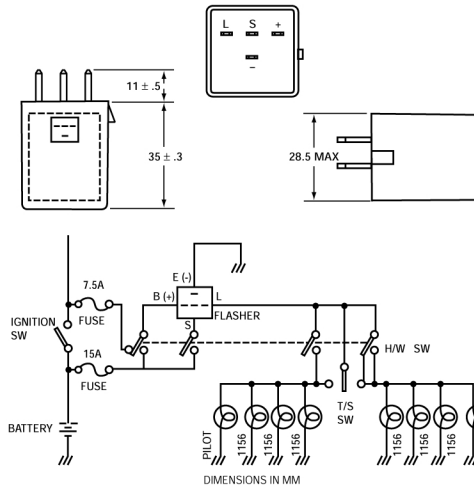


LEDLight.com



EP29-GM 280 Terminal Flasher

- Precise Square Wave I.C. Controller
- High Temperature Plastic Enclosure
- Standard Four Terminal GM 280 Style Pin-out
- High Quality O.E.M. Printed Circuit Board Materials
- Quality and Durability Equal to O.E.M. Products
- Meets or Exceeds D.O.T. Requirements

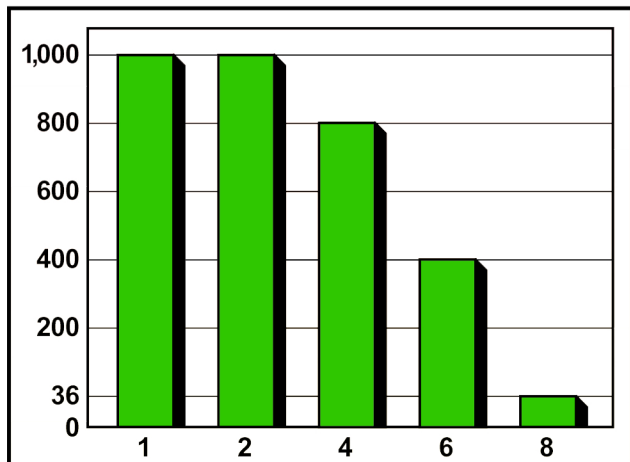


Application:

- CURRENT MODEL G.M. VEHICLES (Since 1995)
 - For 4 Terminal 280 Style Flasher Applications
 - For 3 Lamp Turn Signal, 6 Lamp Hazard Flasher Applications, LED Compatible

Design Life:

- 400 Hours as a Combination Flasher



CHARACTERISTIC	MIN	MAX	UNIT
Load Rating	2	6	Lamps
Flash Rate	60	120	Flash/min
Duty Cycle	35	75	%
Time to First Flash		1.0	Seconds
Voltage Drop		.45	V @ Max Load
Voltage Range	9	16	Volts
Temperature Range	-40	+85	Degrees C