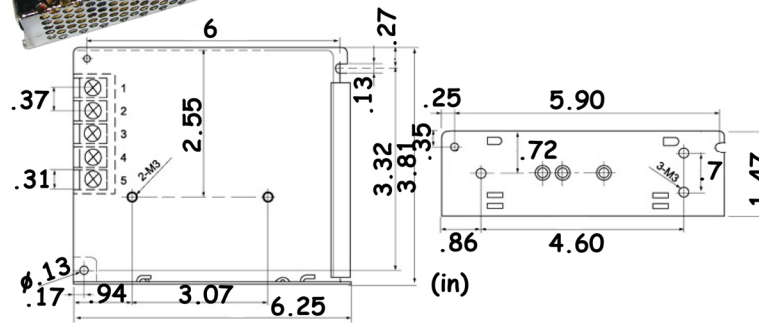
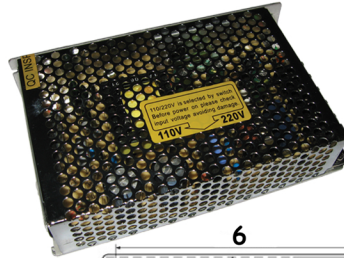




LEDLight.com

LED Light Power Supply 50 Watt



50 Watt LED Power Supply. 50 Watt output power at 12 VDC operation. 85-265 VAC input voltage. 12 V at 4.5 amp output. With the dimensions of 3.8 inch x 1.5 inch x 6.3 inch. Great for constant current for LED Lights such as our 12 VDC tube lights and our flexible LED Lights or use your own LED Light source. You can run up to 5 feet of tube light or 35 feet of flexible strip. CE listed.

Part#	44397
Part Description	50W Power Supply
Lamp Type	LED Power Supply
Lamp Base	
Unit Wattage	50W
Voltage	DC 12V
Frequency	50-60hz
Operating Temperature	0°C-70°C
Environment Temperature	-20°C-50°C
Operating Humidity	85°RH
IP Class	IP54
Ventilation	
Weight	500g
Size	152.5x150mm
Package Type	white box
Number/ Carton	30PCS
Carton Size	15.9x9.7x38cm
Certificates	CE
Lense Type	
Body Type	
Work Environment	
Luminous Efficacy	
Lumen Maintenance	
LED Life	
Warranty	1 year

Color	Beam Angle	Forward Lumen	Side Lumen	# of LEDs	# of chips per LED	LED Type	Kelvin	Wave Length	Amps	LED Watts	Unit Watts	CRI
W												
DW												
WW												
R												
G												
B												
Y												
UV												
RGB												