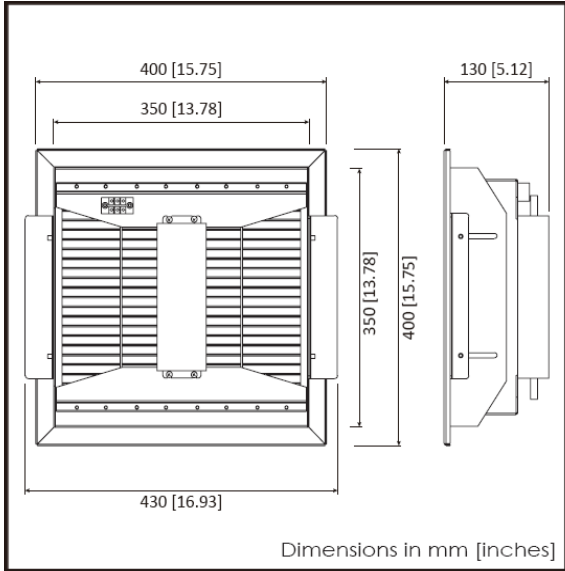


27689



120 Watt High Powered Recessed LED Light



Illumination Information:



Height	Effective Illuminated Area:	Center Illumination (E):	Average Illumination (E):
A=6m	Φ6.9m	142.3 lux	86.8 lux
B=7m	Φ8.1m	104.6 lux	63.7 lux
C=8m	Φ9.2m	80.1 lux	48.8 lux



Height	Effective Illuminated Area:	Center Illumination (E):	Average Illumination (E):
A=6m	Φ16m	101.2 lux	35.3 lux
B=7m	Φ18m	74.4 lux	25.9 lux
C=8m	Φ21m	57.0 lux	19.8 lux

Electrical Specifications:

- LED Power:** 120W
- Lamp's Power:** 135W
- Operating Voltage:** 100-240V AC, 50/60Hz
- Optimal Operating Temp:** -40 °C to +50 °C
- Operating Humidity:** 10% to 90%
- Power Fact(PF):** > 0.95
- Power Supply Efficiency:** > 90%

Photometric Specifications:

- LED Luminous Flux:** 13200 lm in Initial  
12000 lm in Maintain
- LED Luminous Efficiency:** Up to 110 lm/w
- CRI:** Ra >= 75

**CCT:**

3000–  
3500K

4000–  
4500K

5000–  
5500K

6000–  
6500K

Mechanical Specifications:

- IP Rating:** IP65
- Guarantee:** See Website
- Heat Radiator:** Anodized Aluminum
- Face:** Plastics
- Fixture Dimensions:** 430 x400 x130 mm
- Fixture Weight:** 8.4 kg (18.5 lbs)

ISO-Illuminance Curve:

