



FG 11

Electrical Specifications:

- LED Power:** 30W
- Lamp's Power:** 35W
- Operating Voltage:** 100-240V
- Optimal Operating Temp:** -30 °C to +50 °C
- Operating Humidity:** 10% to 90%
- Power Fact(PF):** > 0.95
- Power Supply Efficiency:** > 90%

Photometric Specification

- LED Luminous Flux:** 3300 lm in Initial, 3000 lm in Maintain
- LED Luminous Efficiency:** Up to 140 lm/w
- CRI:** Ra >= 80

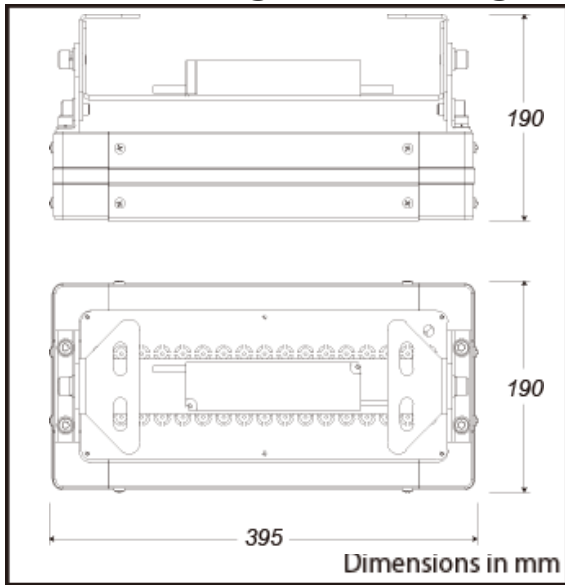
CCT:

- 3000-3500K
- 4000-4500K
- 5000-5500K
- 6000-6500K

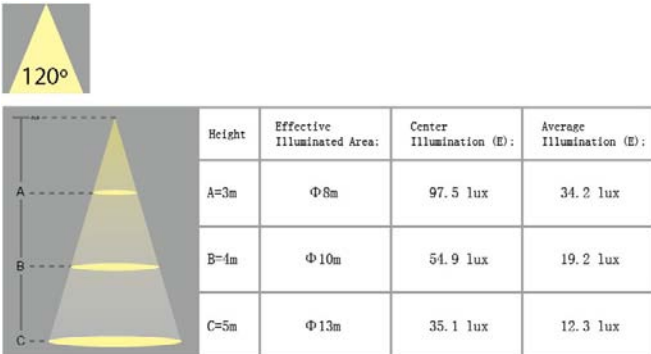
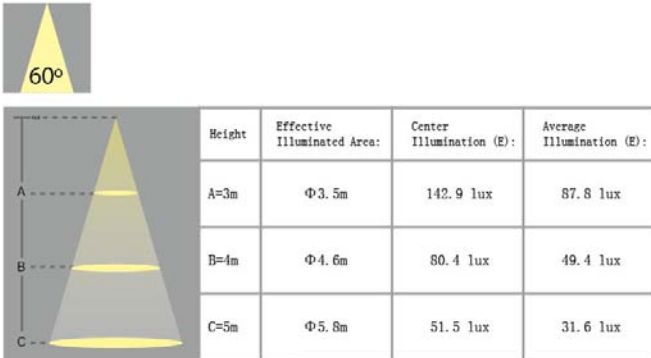
Mechanical Specifications

- IP Rating:** IP66
- Guarantee:** 5 Years
- Heat Radiator:** Anodized Aluminum
- Face:** Plastics
- Fixture Dimensions:** 395 x 190 x 190 mm
- Fixture Weight:** 3.8 kg

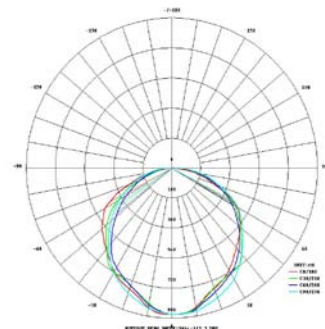
HEAVY DUTY INDUSTRIAL LIGHT



Illumination Information:



ISO-Illuminance Curve



LED High Bay Lights
for Industrial & Commercial Applications